



adler®

**AE4 EV Fuse****FEATURES:**

- 200 VDC automotive fuse
- Rated Current: 10-50 A
- Rated Breaking Capacity: 10 kA
- Time Constant: 2-3 ms
- Dimensions: 10x26 mm
- General purpose fuse for EV/HEV auxiliary protection,
- Ref. to ISO 8820-8; GB/T 31465.6

**ELECTRICAL SPECIFICATIONS**

Part Number / Configurations				Rated Current	Ampere Code	Rated Voltage	Breaking Capacity
Cartridge	Central Mount	Level Mount	PCB Mount				
AE42100600	AE42100601	AE42100605	AE42100603	10A	2100	200 VDC	10 kA@200 VDC
AE42150600	AE42150601	AE42150605	AE42150603	15A	2150		
AE42200600	AE42200601	AE42200605	AE42200603	20A	2200		
AE42250600	AE42250601	AE42250605	AE42250603	25A	2250		
AE42300600	AE42300601	AE42300605	AE42300603	30A	2300		
AE42400600	AE42400601	AE42400605	AE42400603	40A	2400		
AE42500600	AE42500601	AE42500605	AE42500603	50A	2500		

**Note:**

- (1) Percentage of change in fuse current carrying capability. Change in ambient temperature: -0.13 %/°C  
 (2) Temperature Rise: ≤75 K at rated current; ≤45 K at 60 % of rated current  
 (3) Operation Temperature Range: -40°C - +125°C

**TIME VS CURRENT CHARACTERISTIC**

Rated Current	110%	135%	150%	200%	300%	500%
10-50 A	>4 h	150s - 1h	10-1000 s	0.5-100 s	0.1-15s	0.05-1 s

**PART NUMBER SYSTEM**

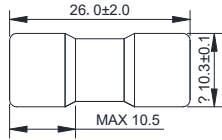
AE4            2500            6            05  
 ↓                ↓                ↓                ↓  
 1                2                3                4

- 1 .....Product Series ..... AE4  
 2 ..... Ampere Code ..... 50 A (see ampere code column of electrical specifications)  
 3 ..... Rated Voltage ..... 6 - 200V  
 4 ..... Supplementary Code ..... 00: Cartridge; 01: Central Mount; 04: PCB Mount; 05: Level Mount;

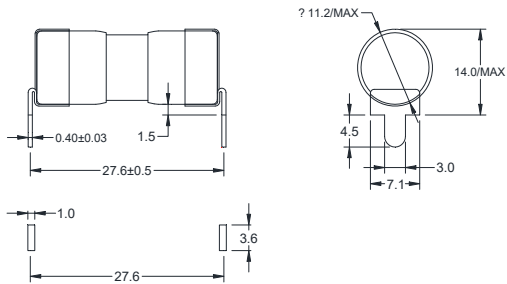


adler®  
DIMENSIONS (mm)

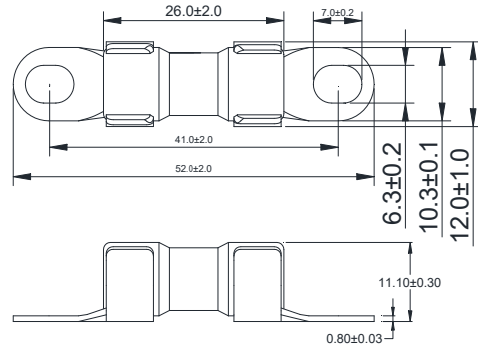
AE4xxxx600



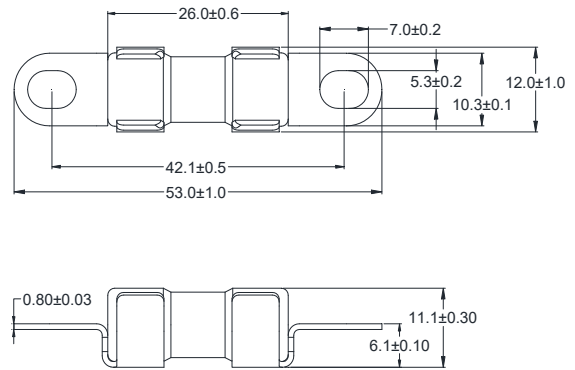
AE4xxxx603



AE4xxxx605



AE4xxxx601



TIME CURRENT CURVE

