

## BF2 Blade Fuse



### FEATURES:

- 32 VDC blade fuse
- Rated Current: 3-30 A
- Rated Voltage: 32 VDC
- Breaking Capacity: 1 kA@32 VDC
- Design standards: UL 275A
- UL File: E499007

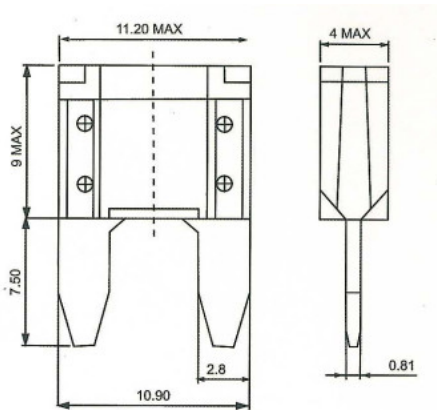
### ELECTRICAL SPECIFICATIONS

Part Number	Rated Current	Housing Color	Rated Voltage	Type Cold Resistance (mΩ)	I2t (A²S)	Certification
						cURus
BF21300300	3A	Violet	32 VDC	34.2	9.5	●
BF21400300	4A	Pink		24.1	17.5	●
BF21500300	5A	Tan		18.1	25.5	●
BF21750300	7.5A	Brown		11.2	68.8	●
BF22100300	10A	Red		7.5	93.2	●
BF22150300	15A	Blue		4.3	270.2	●
BF22200300	20A	Yellow		3.1	380.8	●
BF22250300	25A	Natural		2.2	625.5	●
BF22300300	30A	Green		1.9	1130.1	●

### TIME VS CURRENT CHARACTERISTIC

Rated Current	110%	135%	200%	350%	600%
3-40 A	>100 h	0.75-1800 s	0.15-5 s	40-500 ms	20-100 ms

### DIMENSIONS (mm)



Tolerance: ref. to UL 275A, ISO 8820-3

## TIME CURRENT CURVE

